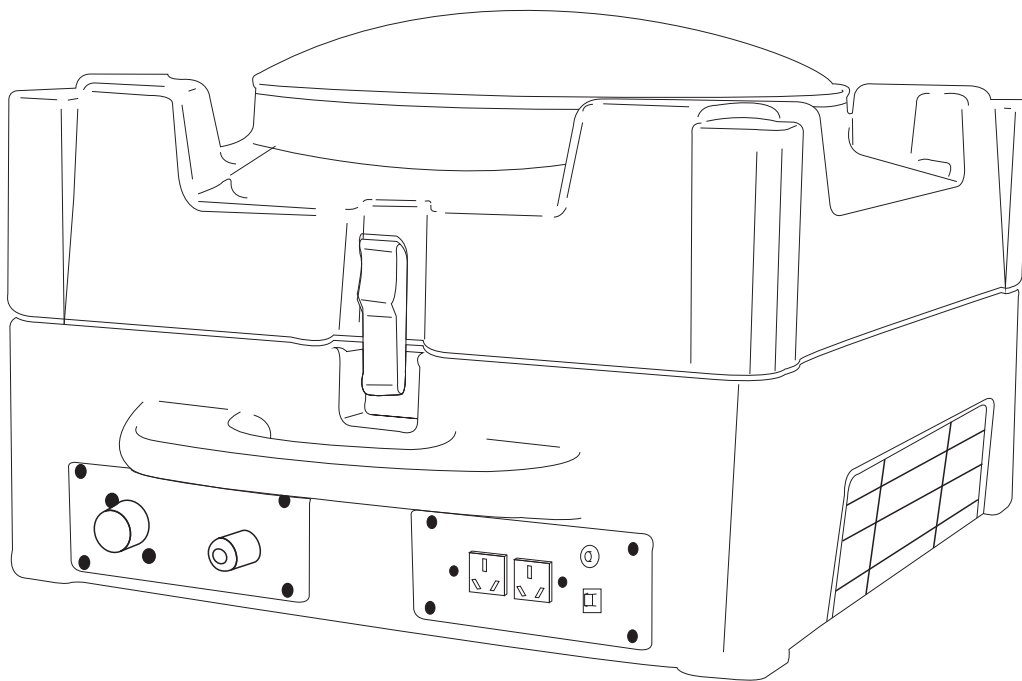


SUPERCLEAN AIRBORNE AIR SCRUBBER OWNER'S MANUAL



INSTRUCTION MANUAL

THIS INFORMATION HAS COME FROM THE MANUFACTURER/IMPORTER
SAVE THESE INSTRUCTIONS FOR FUTURE REFERENCE



Temporary
Surface
Protection



Dust &
Noise
Control



Hoardings
& Barrier
Systems

SYDNEY | MELBOURNE | BRISBANE | PERTH

P: 1300 88 1232 | E: sales@protectagroup.com.au | www.protectagroup.com.au

Read and Save These Instructions

The SUPERCLEAN AIRBORNE Air Scrubber is the most compact, portable unit in our popular line of high performance air scrubbers. The SUPERCLEAN AIRBORNE Air Scrubber features a 55cm x 50cm tall footprint and stands only 35cm tall. Weighing 14kg and featuring a molded handle and stackable design, the Air Scrubber is easy to carry, transport, and store.

For maximum flexibility, the SUPERCLEAN AIRBORNE Air Scrubber features variable airflow and can be operated vertically or horizontally. The Air Scrubber is designed to accept 40cm inlet flex duct and 25cm lay flat outlet duct for a variety of operating set-up options.

The Air Scrubber delivers a maximum 725 CFM or 20CMM of HEPA filtered air, while drawing less than two amps of power. This makes the Air Scrubber perfect for a variety of remediation projects where space and power are at a premium. A single Air Scrubber is capable of providing 4 air changes per hour (the recommended minimum) on a 210 cubic metre room (more than 11 x 8 x 2.4).

The Air Scrubber's 2-stage filter design, with documented true HEPA filtration performance, will remove hazardous particles from the air and, with the addition of an optional carbon/potassium permanganate filter, will adsorb a wide range of odors and gases.

The SUPERCLEAN AIRBORNE Air Scrubber:

- **Less than 1.2 amps**
- **Compact design**
- **Variable speed flow**
- **Multiple ducting options**
- **Tough, plastic cabinet**
- **Optional carbon filter**

Specifications:

Part No. SC/AS110001

Power: 230-240 Vac, 1.2 amps

Blower: 725 CFM or 20CMM

Filters: 1st stage 1"Pleated Media, 18" x 18" (optional) 1" Carbon and Potassium Permanganate 2nd stage 2.5" Pleated HEPA 18" x 18"

Warranty: One Year, 100% Parts and Labor

Dimensions Width: 55cm

Height: 35cm

Depth: 60cm

Weight: 14kg

Important Safety Instructions

CAUTION

CAUTION: Risk of electric shock. Can cause injury or death.

To reduce the risk of electric shock:

Do not expose to standing water or rain

Connect to GFCI outlet

Do not use an extension cord

Unplug the fan before servicing or changing filters.

Do not block air intake or outlet. One foot minimum distance to obstructions.

Indoor use only

Do not use as a stool or bench

Do not operate with a damaged cord or plug.

Do not run cord under carpeting. Do not cover cord with throw rugs, runners, or similar coverings.

Do not route cord under furniture or appliances.

Arrange the cord away from the traffic area and where it will not be tripped over.

Operation

Transporting the SUPERCLEAN AIRBORNE Air Scrubber

The Air Scrubber should be transported vertically or horizontally on the appropriate feet located on the bottom of the unit or opposite the handle

Electrical Requirements

The SUPERCLEAN AIRBORNE Air Scrubber can be plugged into a grounded 15 Amp circuit. It draws about 1.2 Amps with clean filters and no ducting. The amp draw will decrease slightly with added ducting and as the filters load with particulate. Due to the presence of a GFCI receptacle, the Pro model must be plugged directly into a wall outlet. No extension cords should be used.

Air Ducting

A Inlet Ducting

Occasionally the area to be filtered is difficult to access and/ or the unit cannot be located in the area. In such cases, the air can be ducted to the units inlet. A round 16" diameter flexible duct can be attached to the unit inlet. It connects by placing the wire in the duct over the duct collar lip at one location and working over it over the lip gradually. It may be removed after use for easier transport and storage. Flexible 40cm or 16" duct is available from Protecta Group Australia.

B Outlet Ducting

A detachable trapezoid shaped exhaust ring is supplied that will allow 10" round lay-flat plastic duct to be attached to the SUPERCLEAN AIRBORNE Air Scrubber outlet. Lay-flat plastic ducting is available from Protecta Group Australia. To attach ducting to the collar, remove the ring from the unit by pressing the release tab at the top of the grill.

Put the plastic duct end through the inside of the ring. Roll the duct end outward so that it over-laps the outside of the ring. Clip the ring back onto the exhaust grill.

C Negative Air Ducting

The SUPERCLEAN AIRBORNE Air Scrubber can be used to filter and exhaust air from a space. When exhausting to outside the space, the space will be under a slight negative pressure. This will help prevent airborne particles from leaving the space, because the negative pressure will draw air in through openings in the spaces exterior surfaces.

Operation

CAUTION

CAUTION: Exhausting too much air from space with open combustion devices (e.g. furnace, fireplace, or water heater) can cause those devices to backdraft. This can contaminate the space with potentially fatal gases.

In such cases, the SUPERCLEAN AIRBORNE Air Scrubber must be used in one of the following three ways:

- A.** As a filtering unit only. Exhausting no air from the space and thus causing no negative pressure or back drafting.
- B.** Exhausting a very limited amount of air which does not cause back drafting. In case of B, the open combustion devices must be thoroughly checked to guarantee that they do not backdraft while the SUPERCLEAN AIRBORNE Air Scrubber is running.
- C.** Direct the outlet duct from the Air Scrubber to the room with the open combustion device(s). This will positively pressurize the room with HEPA filtered air, thus preventing back drafting. As in case B, those combustion devices must be checked after the Air Scrubber is running to guarantee that they are not back drafting.

Power/Speed Control

The power/speed switch is located on the control panel. When turned on to any speed, it powers the impeller fan. Occasionally the impeller fan may not start at low speed. If this occurs, rotate the speed control to high speed until the impeller fan starts, then adjust it to a lower speed.

CAUTION

CAUTION: Do not remove the HEPA filter with the unit on. Removing the top and filters while running will expose the dangerous rotating impeller fan. Disconnect the appliance before changing filters.

Operation

Resettable Circuit Breaker

The 12 AMP thermal response resettable circuit breaker protects the unit and devices connected to its duplex GFCI outlet.

The circuit breaker is designed to sense the total current draw through the circuit. The circuit breaker "trips" when more than 12 amps of electrical current are drawn through the device's power cord. Should an over-current condition occur, the Air Scrubber on-board circuit breaker prevents nuisance visits to a remote power junction box.

IMPORTANT

IMPORTANT: Total amperage of the *SUPERCLEAN AIRBORNE* plus all devices plugged into the receptacle must not exceed 12 amps. The circuit breaker will not allow for loads over 12 amps, although there is a time delay before the overloaded circuit is broken.

IMPORTANT

IMPORTANT: When the *SUPERCLEAN AIRBORNE* is plugged into a standard "powered" wall outlet the *SUPERCLEAN AIRBORNE* duplex outlet is electrically "HOT" and AC voltage is present.

GFCI Protection and the On-Board Duplex VAC Outlet

The standard AC voltage outlet GFCI (Ground Fault Circuit Interrupter) protection promotes operator safety in wet applications. GFCI devices trip when a fault to electrical "ground" is sensed. It is recommended to check the GFCI protection before operation. To check, push the "TEST" button located on the GFCI duplex outlet. If operating properly the "RESET" button on the GFCI outlet will pop out. A tripped GFCI is indicated by a small LED. The device can only be "RESET" when the Air Scrubber is connected to a wall outlet providing standard voltage. This duplex AC outlet allows the interconnection of other AC powered devices. The total amperage of all devices plugged into the receptacle must not exceed 10 amps.

Servicing

Before each use, try to inspect for any damage, blocked inlet or outlet.

Inspect the GFCI to ensure it is not in a "tripped" condition. Push "RESET" to reset the GFCI.

When the *SUPERCLEAN AIRBORNE* Air Scrubber is first turned on, check for excessive vibration. If the unit vibrates excessively or if the impeller rubs on housing, turn off the unit immediately. Have a service technician check the unit to correct any issues.

Maintenance

WARNING

Use extreme caution when changing the HEPA filter as hazardous material could be trapped in the media. Always wear appropriate NIOSH Approved respirator and PPE equipment when removing/ replacing filters or cleaning machine. Remove filters in a controlled HEPA environment or outdoors. Always make sure to dispose of filters into waste bags and dispose into appropriate waste disposal. If you are unsure of how to safely dispose of any filter-consult an industrial hygienist to ensure that all hazardous materials are contained and disposed of properly.

Air Filters

The standard SUPERCLEAN AIRBORNE Air Scrubber HEPA System is equipped with two filters that progressively filter out smaller particles. An optional activated carbon/potassium permanganate filter can be also added. These filters must be checked regularly. Operating the unit with unclean filters will reduce the airflow, but will not harm to the unit.

The two standard filters used are listed below (as installed in the unit from top to bottom):

- A. 25 to 30% efficient (per ASHRAE 52.1-1992), MERV-7, pleated fabric pre-filter.
- B. 99.97% DOP efficient HEPA filter.

Filter replacement

A

When the amber "filter change light" illuminates, it may be time to replace one or both filters. To check airflow accurately, an airflow meter or anemometer must be used:

- When the filter change light illuminates remove all ducting and run on high speed settings. If the filter light indicator remains lit, replace the pre-filter and run on high again. If the light remains, it is time to replace the HEPA filter for full filtration performance.

Airflow on high speed with all filters clean and no ducting is slightly over 500 CFM or 14CMM. The unit can be run with very dirty filters and virtually no flow without harming the unit. The operator's decision to change filters should be based on filter cost vs the unit's filtering effectiveness. If the airflow is 250 CFM vs. 725 CFM, the unit will filter particles from space at 1/3 the rate. The operator must decide if that is acceptable.

If the operator determines the filters should be changed due to low airflow, it is most economical to change them in the following order:

Change the pre-filter (top) first. This is the least expensive filter. Recheck the airflow. If the airflow is acceptable, no other filters will need replacements.

If the airflow is still too low, the HEPA filter must be changed.

To remove the HEPA filter, follow these steps:

1. Loosen the eight screws one revolution
2. Rotate all eight clips out of the way
3. Remove the old filter
4. Installing the new filter is the reverse of these instructions

Maintenance

B Optional Activated Carbon/Potassium Permanganate Filters

They use a blend of activated carbon and potassium permanganate.

This blend removes the vast majority of gaseous contaminants encountered in most filtering applications. The activated carbon removes the heavier volatile organics, while the potassium permanganate removes lower molecular weight contaminants.

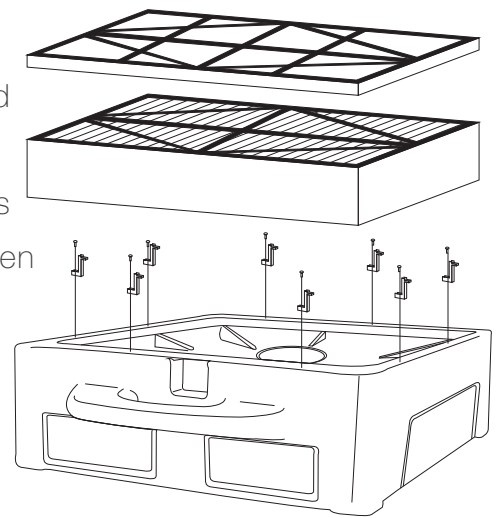
This is well suited to the smoke odors present after fire damage. The life of the media blend depends upon both the hours used and the contamination level.

Another advantage of the blended media versus activated carbon only is that part of the blend changes colour as it loads up with contaminants. It starts out black, then turns pink, then brown, and finally white. It is best changed when it passes the brown stage and begins to turn white.

It has lost most of its effectiveness at that point.

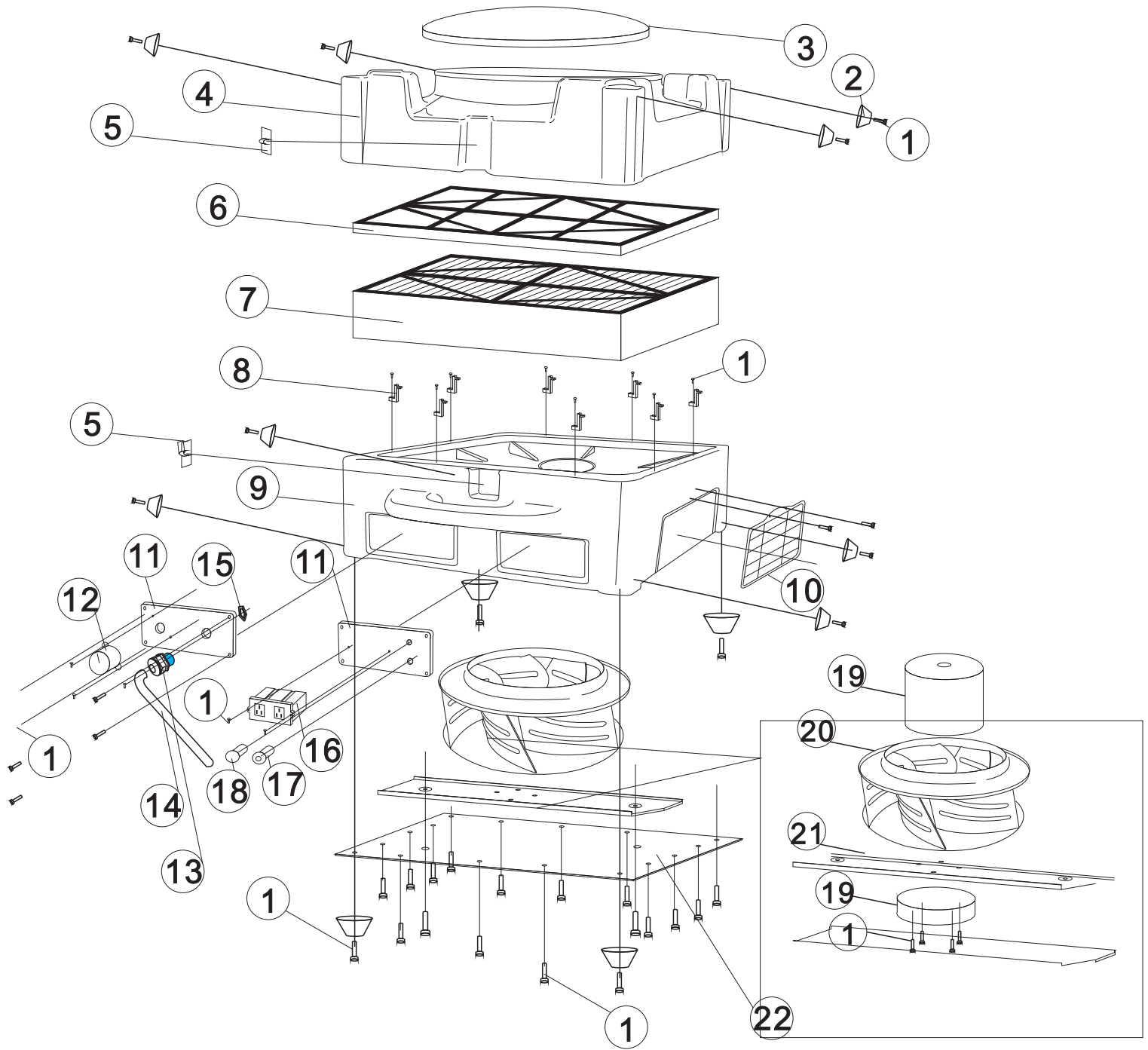
The filter is the same size as the pleated fabric filter.

Install it in place of the pleated fabric filter.



Warranty

A warranty certificate is included in the unit and make sure to read it before any repair is initiated. If a warranty repair is required, call the factory first at **1300 881 232** for warranty claim authorization and technical assistance.



ref#	description	qty	ref#	description	qty
1	Screw	46	13	Strain relief-lq tight	1
2	Rubber foot	12	14	Power cord	1
3	Removable Foam Cap	1	15	Nut,hex	1
4	Upper half shell	1	16	Gfci outlet,female plug	1
5	Buckle	2	17	Circuit breaker	1
6	Primary efficiency filter	1	18	Filter net plug alarm lamp	1
7	High efficiency filter	1	19	AC motor	1
8	Fixed buckle	8	20	Fan blade	1
9	Lower half shell	1	21	Fixed plate	1
10	Larger & Wider air outlet	1	22	Bottom cover plate	1
11	Switch panel/GFCI panel	1	23		1
12	On/off rocker switch,blk	1			